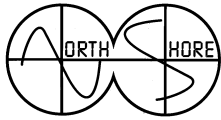


# NORTH SHORE ARC



Box 171, Oshawa, ON, Canada, L1H 7L1  
[www.osha.igs.net/~lsolomon/nsarc](http://www.osha.igs.net/~lsolomon/nsarc)



Volume 8 , Number 1

February 2007

## Don't forget the Wednesday Evening Net.

+++++

## TNC to Radio Connections

From Howie VE3TYQ

Here is a good link for wiring tncs to radios

<http://users3.ev1.net/~medcalf/ztx/wire/index.html>

according to it you do need a resistor and a capacitor

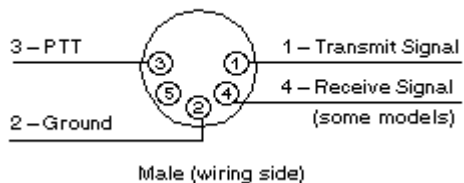
## TNC Pins

<http://users3.ev1.net/~medcalf/ztx/wire/tnc2.html>

## 5-pin DIN Connector

DPK-2, DSP-2232, KPC-1, MFJ-1270, MFJ-1270b, MFJ-1274, PacComm 200, PacComm 220, PK-87, PK-900, Tiny-2, TNC-2

### TAPR TNC-2 5-pin DIN Connector



- Pin 1 - Transmit Signal
- Pin 2 - Ground
- Pin 3 - PTT
- Pin 4 (some models) - Receive Signal

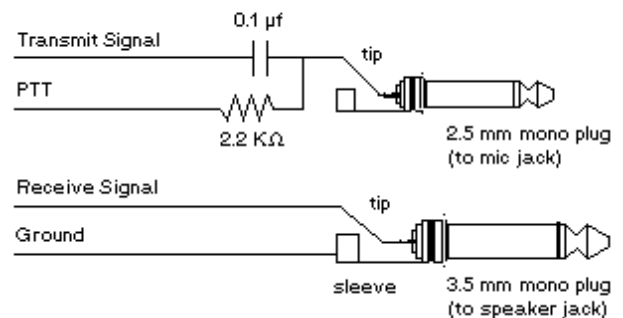
## Radio Pins

<http://users3.ev1.net/~medcalf/ztx/wire/y727.html>

## Mic and Speaker Plugs

FT-11, FT-530, FT-727, HTX-202, HTX-404

### Yaesu FT-727 Hand-Held Radios (and newer models)



Mic Plug (2.5 mm mono) to Mic Jack  
Tip of plug - Transmit Signal through a 0.1 microfarad capacitor  
Tip of plug - PTT through a 2.2 Kohm resistor

Speaker Plug (3.5 mm mono) to Speaker (SP) Jack  
Tip of plug - Receive Signal  
Sleeve of plug - Ground

Now you can get plugged into Paket.  
Howie has all of details when you're ready to join in.

+++++

## Durham Online Radio Resource.

**From: Peter VA3QW**

<http://www.scannerdesk.com/radio-ar.html>

Peter forwarded this to me for inclusion in the bulletin. David R. Bate Jr. who is a candidate for amateur radio certification runs this site. It has good information and resources for HAM radio, as well as lots of other information. Stop by and take a look.

+++++

## VE3NBV – SK

**From: Laird VE3LKS**

Stewart Prouty, VE3NBV, passed away February 13<sup>th</sup> 2007. Both Stewart and his wife Violet VE3VLP were members of our Club. Remember the Prouty family in your thoughts at this time.

+++++

## How do I sound??

**From: eHAM.net**

I saw this article on the eHAM site under the title "Operating". I found it most interesting and more than a little revealing. We're often reminded that we are "Amateur by choice and Professional by Nature". We need to constantly check ourselves against the standards and protocols laid down by those who have worked so hard for what we enjoy today.

<http://www.eham.net/articles/15919>

We must make sure that we are the best that we can be as ambassadors of the hobby, our club, our region, province and country.

+++++

## From the Chair in the Shack

As we wind our weary way through these cold weeks we are tempted to turn on the hf rig and see who's there. Surprisingly, even though the flux is low and the proton velocity high, there are still stations out there for "grabs" on bands up to about 17 m. Most of you have hf privileges now and the bands are worth a look.

A candidate for the exam has sent me his web page on amateur radio and a host of other things. It is just great and worth a look for some facts and frequencies to listen to as well. Have a good look at <http://www.scannerdesk.com/radio-ar.html>

I would like to apologize to any of you who were at the last meeting and felt "picked on" by my little quiz. I certainly didn't intend to put anyone on the spot. I guess what I had hoped for was that members might either take pleasure from snapping out answers or would be reminded that amateur radio skills and knowledge can always benefit from a review. I know that I enjoy reading anything to do with radio and sometimes find myself looking back to the handbook for review. Strangely, reading about the hobby seems to get me motivated to go on-air. I hope you experience the same from time to time.

Some sad news about GOTA. The event has been cancelled for this year because no groups signed up for it. Those of you who enjoyed the event might want to help design a brochure that we could get out early enough to stir up interest. If you are one of those people, let me know and we can start work. For the operators who looked forward to the event, you have my sympathy and I share your disappointment.

Lastly, let me plead with all of you to consider packet radio. It can be done easily from your computer sound card and will be a really helpful skill in emergencies. While on the topic of emergencies, let me also plead that you give ARES a go. There

will be two classes of membership, active and associate and associate members need only attend a fraction of the activities during the year. ARES needs you.

Remember, a rig turned on is a good source of heat in this weather.

73 de Pete

+++++

I recently received part of my Christmas gift from my wife. She saw this book called "Ham Radio's Technical Culture" by Kristen Haring. The Publisher is the MIT press. The copyright date is 2007, so that might explain why I just got it a couple of weeks ago.



Here's the write up on the author.

Kristen Haring is a visiting scholar in Columbia University's Department of History. She holds degrees in mathematics from the University of Pennsylvania and the University of North Carolina at Chapel Hill and a PhD in history of science from Harvard University. Haring's work has been

recognized by the Society for the History of Technology, which awarded her the IEEE Life Members' Prize in Electrical History for portions of Ham Radio's Technical Culture. Talk about an interesting read. While it won't be for everyone, it's jammed full of interesting facts and gathers data from the "early" years. I'm just about halfway through it. Check your local library and ask them if they're got it.

Here's the link to the book

<http://mitpress.mit.edu/catalog/item/default.asp?ttpe=2&tid=10967>

Now that we're finally getting a real winter it's nice to have a good book to read. AND while I know it goes against the Ham culture of working on your antennas in the freezing cold, I can say that I'm not missing it.

Your humble scribe.

Ken  
VE3RMK